

# GTDU / GTDU2C

## GRAMPOS TERRA DUPLO COM PARAFUSO EM "U"



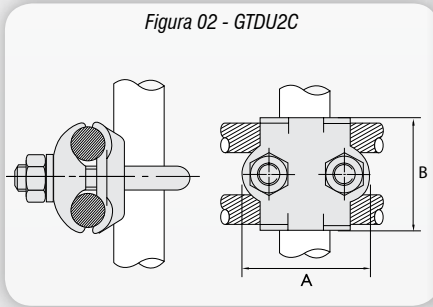
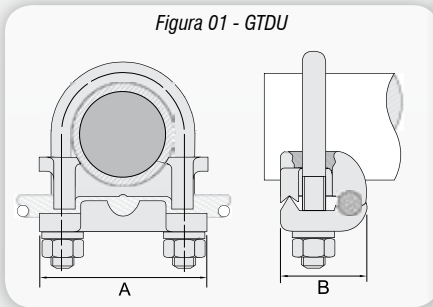
**Finalidade:** Conexões entre haste-cabo ou tubo IPS-cabo. Indicado para fios e cabos **CS - COPPERSTEEL** ou cobre.

**Características:** Conexão por aperto. Alta condutividade elétrica e resistência à corrosão. Permite conectar um cabo paralelamente, à 90° em relação a haste/tubo IPS (GTDU) ou dois cabos paralelos (GTDU2C).

**Aplicação:** Sistemas de aterramento em geral (sistemas de distribuição de energia, malhas de aterramento, aterramentos residenciais, prediais e industriais, aterramento em redes de telecomunicações, aterramentos em subestações).

**Material:** Grampo em liga de cobre, acessórios em liga de cobre ou aço zincado eletrolítico.

**Ferramentas de Aplicação:** Chave estrela ou fixa.



Código INTELLI	Condutor		Diâmetro Haste (pol.)	Tubo IPS	Dimensões			Figura
	AWG	mm²			A	B	PARAFUSO "U"	
GTDU 1/4" IPS 8-4	8 - 4	10 - 25	1/2"	1/4"	53,0	34,0	M10	1
GTDU 1/4" IPS 4-2/0	4 - 2/0	16 - 70	1/2"	1/4"	56,0	40,0	M10	
GTDU 3/8" IPS 8-4	8 - 4	10 - 25	5/8" - 3/4"	3/8"	50,0	34,0	M10	
GTDU 3/8" IPS 4-2/0	4 - 2/0	16 - 70	5/8" - 3/4"	3/8"	52,0	40,0	M10	
GTDU 3/8" IPS 2/0-250	2/0 - 250	70 - 120	5/8" - 3/4"	3/8"	54,0	48,0	M10	
GTDU 3/8" IPS 300-500	300 - 500	150 - 240	5/8" - 3/4"	3/8"	63,0	59,0	M10	
GTDU 1/2" - 3/4" IPS 8-4	8 - 4	10 - 25	7/8" - 1"	1/2" - 3/4"	59,0	41,0	M10	
GTDU 1/2" - 3/4" IPS 4-2/0	4 - 2/0	16 - 70	7/8" - 1"	1/2" - 3/4"	61,0	43,0	M10	
GTDU 1/2" - 3/4" IPS 2/0-250	2/0 - 250	70 - 120	7/8" - 1"	1/2" - 3/4"	62,0	47,0	M10	
GTDU 1/2" - 3/4" IPS 300-500	300 - 500	150 - 240	7/8" - 1"	1/2" - 3/4"	62,0	60,0	M10	
GTDU 1" IPS 8-4	8 - 4	10 - 25	-	1"	67,0	34,0	M10	
GTDU 1" IPS 4-2/0	4 - 2/0	16 - 70	-	1"	72,0	42,0	M10	
GTDU 1" IPS 2/0-250	2/0 - 250	70 - 120	-	1"	73,0	57,0	M10	
GTDU 1" IPS 300-500	300 - 500	150 - 240	-	1"	76,0	61,0	M12	
GTDU 1.1/4" IPS 2/0-250	2/0 - 250	70 - 120	-	1.1/4"	77,0	47,0	M10	
GTDU 1.1/2" IPS 8-4	8 - 4	10 - 25	-	1.1/2"	83,0	45,0	M10	
GTDU 1.1/2" IPS 4-2/0	4 - 2/0	16 - 70	-	1.1/2"	81,0	41,0	M10	
GTDU 1.1/2" IPS 2/0-250	2/0 - 250	70 - 120	-	1.1/2"	82,0	45,0	M10	
GTDU 2" IPS 8-4	8 - 4	10 - 25	-	2"	96,0	34,0	M10	
GTDU 2" IPS 4-2/0	4 - 2/0	16 - 70	-	2"	96,0	36,0	M10	
GTDU 2" IPS 2/0-250	2/0 - 250	70 - 120	-	2"	96,0	46,0	M10	
GTDU 2" IPS 300-500	300 - 500	150 - 240	-	2"	103,0	60,0	M12	
GTDU 2.1/2" IPS 8-4	8 - 4	10 - 25	-	2.1/2"	110,0	41,0	M10	
GTDU 2.1/2" IPS 4-2/0	4 - 2/0	16 - 70	-	2.1/2"	108,0	42,0	M10	
GTDU 2.1/2" IPS 2/0-250	2/0 - 250	70 - 120	-	2.1/2"	111,0	48,0	M10	
GTDU 2.1/2" IPS 300-500	300 - 500	150 - 240	-	2.1/2"	117,0	61,0	M12	
GTDU 3" IPS 8-4	8 - 4	10 - 25	-	3"	120,0	34,0	M10	
GTDU 3" IPS 4-2/0	4 - 2/0	16 - 70	-	3"	125,0	45,0	M10	
GTDU 3" IPS 2/0-250	2/0 - 250	70 - 120	-	3"	127,0	47,0	M10	
GTDU 3.1/2" IPS 4-2/0	4 - 2/0	16 - 70	-	3.1/2"	145,0	46,0	M10	
GTDU 4" IPS 8-4	8 - 4	10 - 25	-	4"	152,0	34,0	M10	
GTDU 4" IPS 4-2/0	4 - 2/0	16 - 70	-	4"	152,0	48,0	M10	
GTDU 4" IPS 2/0-250	2/0 - 250	70 - 120	-	4"	187,0	60,0	M12	

Código INTELLI	Condutor		Diâmetro Haste (pol.)	Tubo IPS	Dimensões			Figura
	AWG	mm²			A	B	PARAFUSO "U"	
GTDU2C 1/4" IPS 4-2/0	4 - 2/0	16 - 70	1/2"	1/4"	55,0	35,0	M10	2
GTDU2C 3/8" IPS 8-4	8 - 4	10 - 25	5/8" - 3/4"	1/4"	53,0	34,0	M10	
GTDU2C 3/8" IPS 4-2/0	4 - 2/0	16 - 70	5/8" - 3/4"	3/8"	53,0	44,0	M10	
GTDU2C 3/8" IPS 2/0-250	2/0 - 250	70 - 120	5/8" - 3/4"	3/8"	54,0	48,0	M10	
GTDU2C 3/8" IPS 300-500	300 - 500	150 - 240	5/8" - 3/4"	3/8"	64,0	68,0	M10	
GTDU2C 1/2"-3/4" IPS 4-2/0	4 - 2/0	16 - 70	7/8" - 1"	3/8"	59,0	42,0	M10	
GTDU2C 1/2"-3/4" IPS 2/0-250	2/0 - 250	70 - 120	7/8" - 1"	1/2" - 3/4"	61,0	49,0	M10	
GTDU2C 1" IPS 4-2/0	4 - 2/0	16 - 70	-	1/2" - 3/4"	68,0	43,0	M10	
GTDU2C 1" IPS 2/0-250	2/0 - 250	70 - 120	-	1/2" - 3/4"	68,0	51,0	M10	
GTDU2C 1.1/2" IPS 4-2/0	4 - 2/0	16 - 70	-	1/2" - 3/4"	85,0	44,0	M10	
GTDU2C 2" IPS 4-2/0	4 - 2/0	16 - 70	-	1"	96,0	51,0	M10	
GTDU2C 2" IPS 2/0-250	2/0 - 250	70 - 120	-	1"	97,0	51,0	M10	
GTDU2C 2.1/2" IPS 2/0-250	2/0 - 250	70 - 120	-	1"	111,0	52,0	M10	
GTDU2C 3" IPS 8-4	8 - 4	10 - 25	-	1"	125,0	34,0	M10	
GTDU2C 3" IPS 2/0-250	2/0 - 250	70 - 120	-	1.1/4"	127,0	48,0	M10	
GTDU2C 4" IPS 8-4	8 - 4	10 - 25	-	1.1/2"	150,0	34,0	M10	

**Normas de Referência:**

NBR-13571 / NBR-5370 / UL-467